

Incremental Rotary Encoder

Mini Size

Housing Dia.:25mm, 30mm;

Solid Shaft Dia.:4mm,5mm;

GI-SM Series



- ▶ Housing Diameter:25,30mm;
- ▶ Solid Shaft Diameter:4,5mm;
- ▶ Resolution: Max.1024ppr;
- ▶ Supply Voltage:5v,8-29v;
- ▶ Output Format: NPN/PNP open collector, Push pull, Line Driver;
- ▶ Output Signal: A B / A B Z / A B Z & A- B- Z-;
- ▶ Widely used in various fields of automatic control and measurement system,such as machinery manufacturing, shipping, textile, printing, aviation, military industry Testing machine, elevator, etc.
- ▶ Vibration-resistant, corrosion-resistant, pollution-resistant;

Product characteristics

| | |
|-------------------|-----------|
| Housing Dia.: | 25mm,30mm |
| Solid Shaft Dia.: | 4mm,5mm |

Electrical Data

| Resolution: | Max.1024ppr | | | |
|-------------------------|---|----------------|-------------|----------------|
| Output Format: | NPN/PNP open collector, Push pull, Line Driver, Voltage Output; | | | |
| Output Signal: | A/A B / A B Z / A B Z & A- B- Z-; | | | |
| Supply Voltage: | 5V, 8-29V | | | |
| Max. Frequency Response | 100Khz | | | |
| | Open Collector | Voltage Output | Line Driver | Push Pull |
| Consumption current | ≤80mA; | ≤80mA; | ≤150mA; | ≤80mA; |
| Load current | 40mA; | 40mA; | 60mA; | 40mA; |
| VOH | Min.Vcc x 70%; | Min.Vcc - 2.5v | Min.3.4v | Min.Vcc - 1.5v |
| VOL | Max.0.4v | Max.0.4v | Max.0.4v | Max.0.8v |

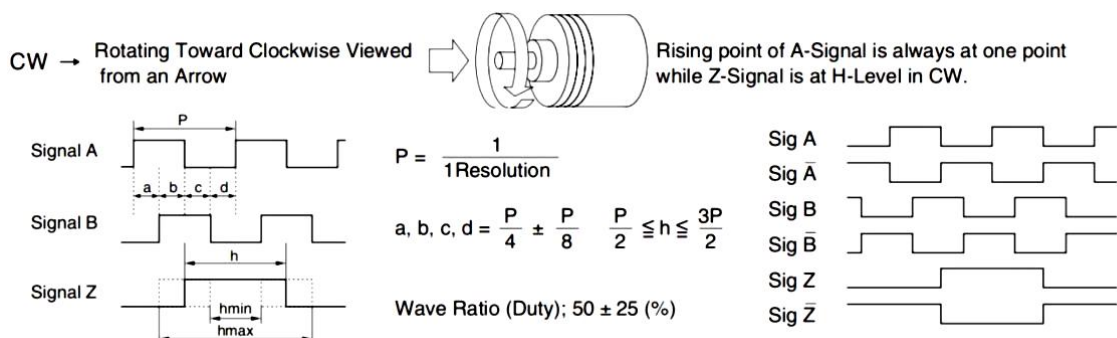
Mechanical Data

| | |
|--------------------|----------------------------|
| Start Torque | 1.5 x 10 ⁻³ N•M |
| Max. Shaft Loading | Axial: 10N, Radial:5N; |
| Max. Rotary Speed | 5000rpm |
| Weight | 100g |

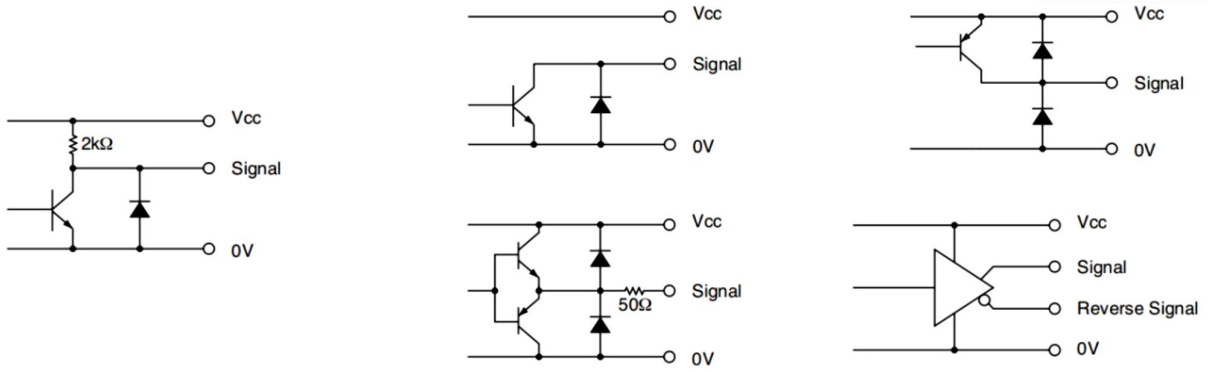
Environment Data

| | |
|------------------|----------|
| Working Temp. | -30~80°C |
| Storage Temp. | -40~80°C |
| Protection Grade | IP54 |

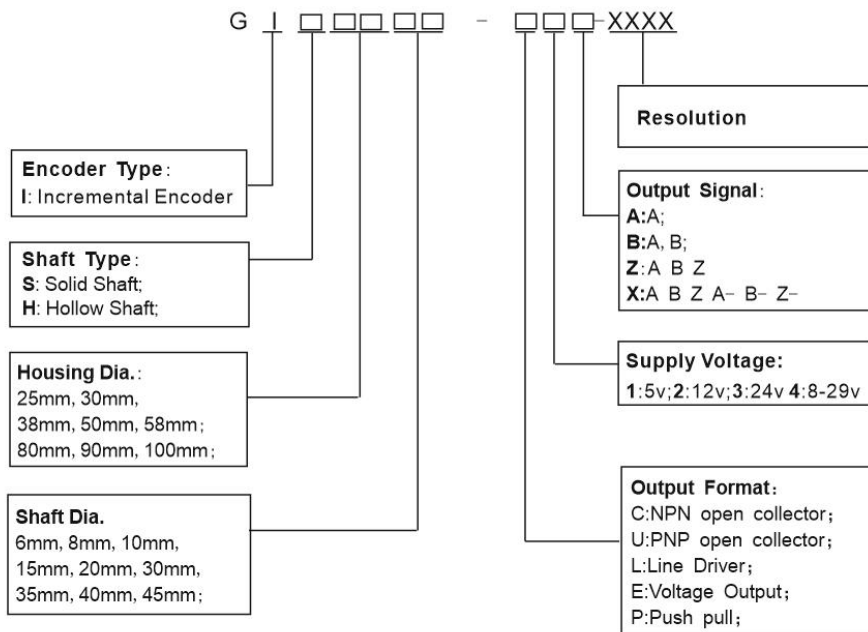
Wave Form



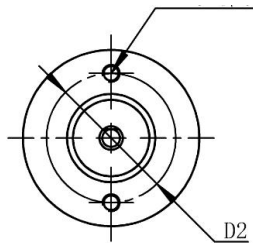
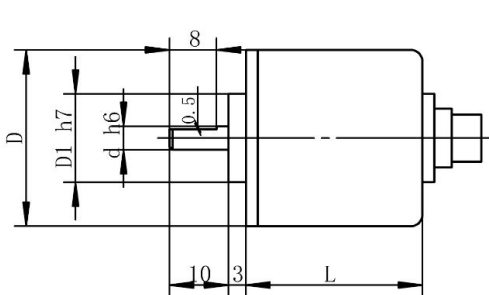
Circuit of Output Signal



Ordering Code



Dimensions



| | | |
|----|----|----|
| D | 25 | 30 |
| D1 | 12 | 15 |
| D2 | 18 | 22 |
| d | 3 | 4 |
| L | 30 | 30 |