

Incremental Rotary Encoder

Mini Size

Housing Dia.:90mm;

Hollow Shaft Dia.:20,30,32,38,40mm;

GI-H90 Series



- ▶ Housing Diameter:90mm;
- ▶ Hollow Shaft Diameter:20,30,32,38,40mm;
- ▶ Resolution: Max.6000ppr;
- ▶ Supply Voltage:5v,8-29v;
- ▶ Output Format: NPN/PNP open collector, Push pull, Line Driver;
- ▶ Output Signal: A B / A B Z / A B Z & A- B- Z-;
- ▶ Widely used in various fields of automatic control and measurement system,such as machinery manufacturing, shipping, textile, printing, aviation, military industry Testing machine, elevator, etc.
- ▶ Vibration-resistant, corrosion-resistant, pollution-resistant;

Product characteristics

Housing Dia.:	90mm
Hollow Shaft Dia.:	20,30,32,38,40mm

Electrical Data

Resolution:	Max.6000ppr
Output Format:	NPN/PNP open collector, Push pull, Line Driver, Voltage Output;
Output Signal:	A/A B / A B Z / A B Z & A- B- Z-;
Supply Voltage:	5V, 8-29V
Max. Frequency Response	300Khz

	Open Collector	Voltage Output	Line Driver	Push Pull
Consumption current	≤80mA;	≤80mA;	≤150mA;	≤80mA;
Load current	40mA;	40mA;	60mA;	40mA;
VOH	Min.Vcc x 70%;	Min.Vcc - 2.5v	Min.3.4v	Min.Vcc - 1.5v
VOL	Max.0.4v	Max.0.4v	Max.0.4v	Max.0.8v

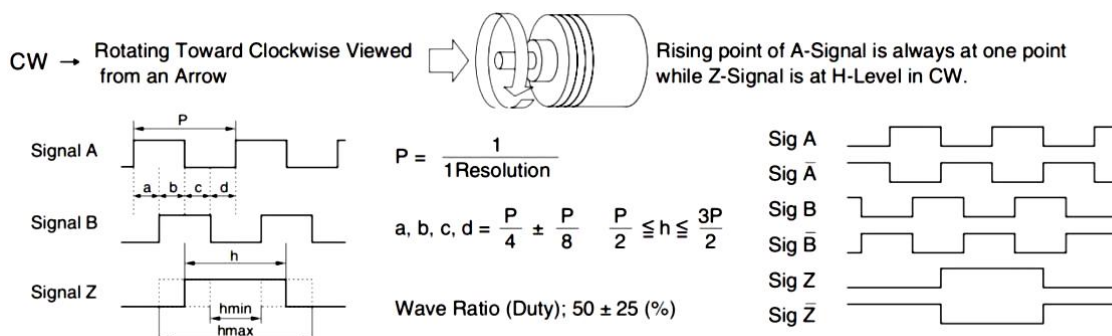
Mechanical Data

Start Torque	1 N•M
Max. Shaft Loading	Axial: 10N, Radial:20N;
Max. Rotary Speed	5000rpm
Weight	200g

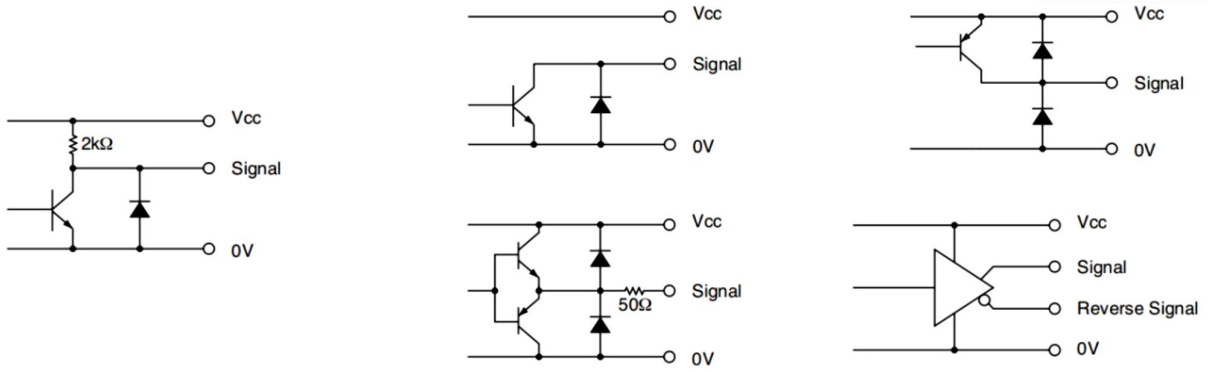
Environment Data

Working Temp.	-30~80℃
Storage Temp.	-40~80℃
Protection Grade	IP54

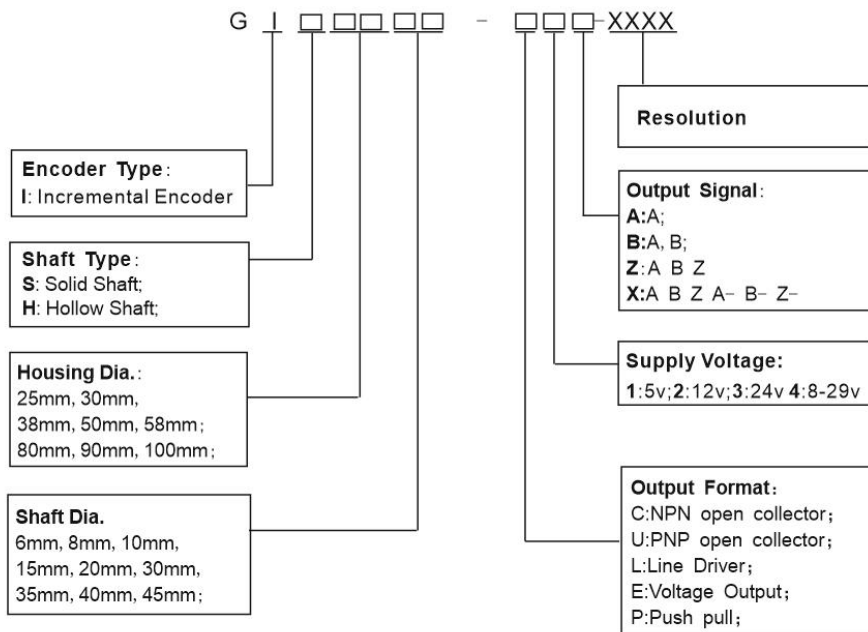
Wave Form



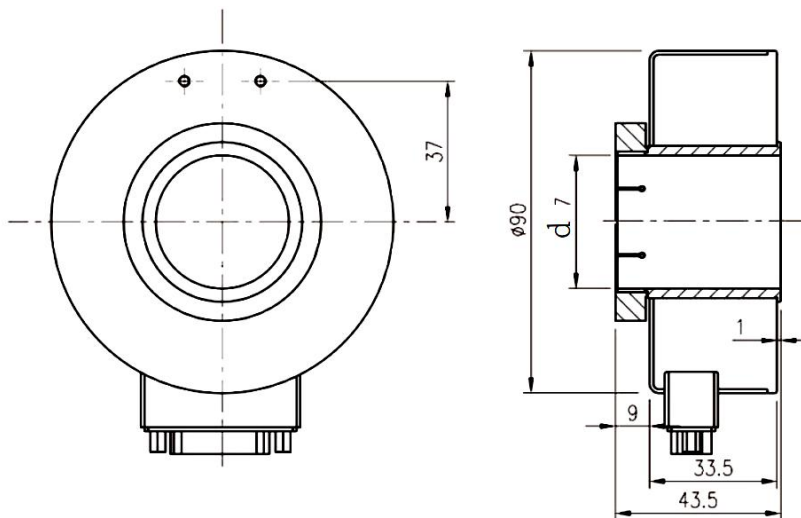
Circuit of Output Signal



Ordering Code



Dimensions



d = 32, 35, 38, 40