



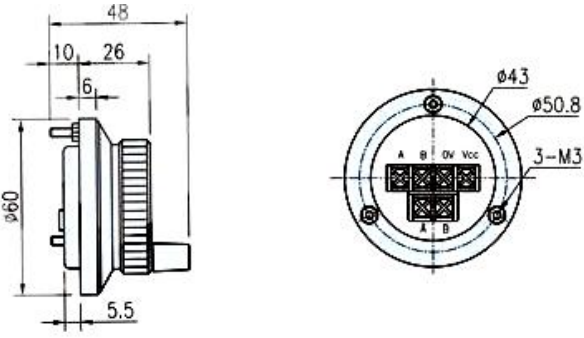
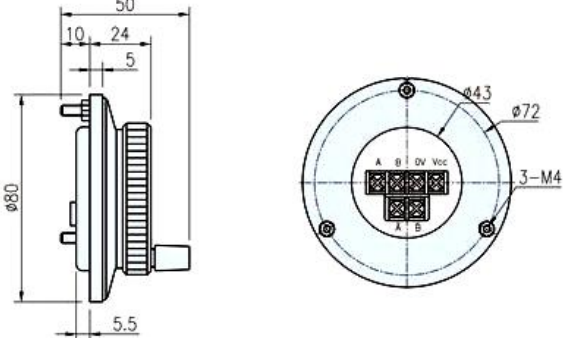


Idencoder Manual Pulse Generator

Hand Wheel

Features:

1. Gertech Hand Wheel is widely applied in CNC Lathe and Printing Mechanism, to accomplish zero Collaboration or Signal Segmentation.
2. High reliability, long life and strong anti-interference ability, wide temperature range for operating.
3. Metal gear brings, reliable and clear feeling when rotating;
4. Body: 60mm, 80mm

Model No. GI-6047		Model No. ADK8060	
			
			
Size	60mm * 47mm	Size	80mm * 60mm
Resolution	25ppr & 100ppr	Resolution	25ppr & 100ppr
Output	Line Driver, Voltage Output	Output	Line Driver, Voltage Output
Voltage	5v & 5-26v	Voltage	5v & 5-26v
Max. Rotary Speed	600rpm	Max. Rotary Speed	600rpm
Max Current Consumption	80mA(Line) 120mA(V)	Max Current Consumption	80mA(Line) 120mA(V)
Max. Response Frequency	10khz	Max. Response Frequency	10khz
Rise/fall Time	200ns(Line Driver), 1μs(Voltage)	Rise/fall Time	200ns(Line Driver), 1μs(Voltage)
Net Weight	200g	Net Weight	250g
Working Temp.	-20°C-85°C	Working Temp.	-20°C-85°C
Humidity	30~85%	Humidity	30~85%
Degree of Protection	IP50	Degree of	IP50
Dimension:		Dimension:	
			



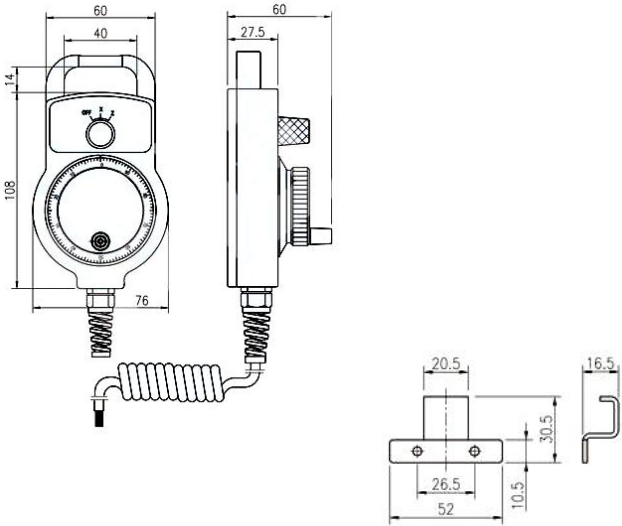
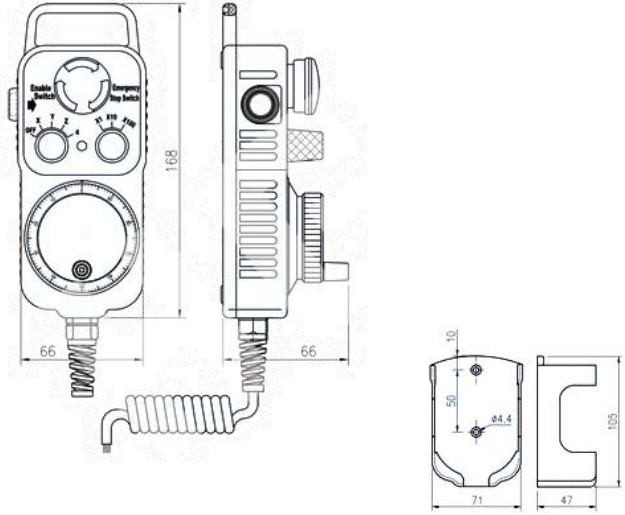
Idencoder Manual Pulse Generator

Manual Pulse Generator



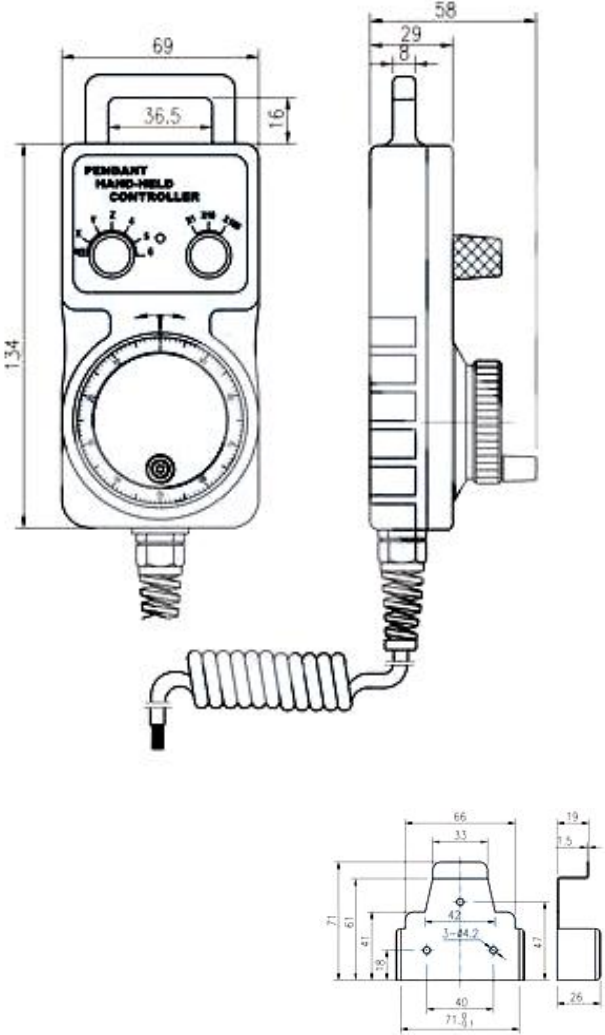
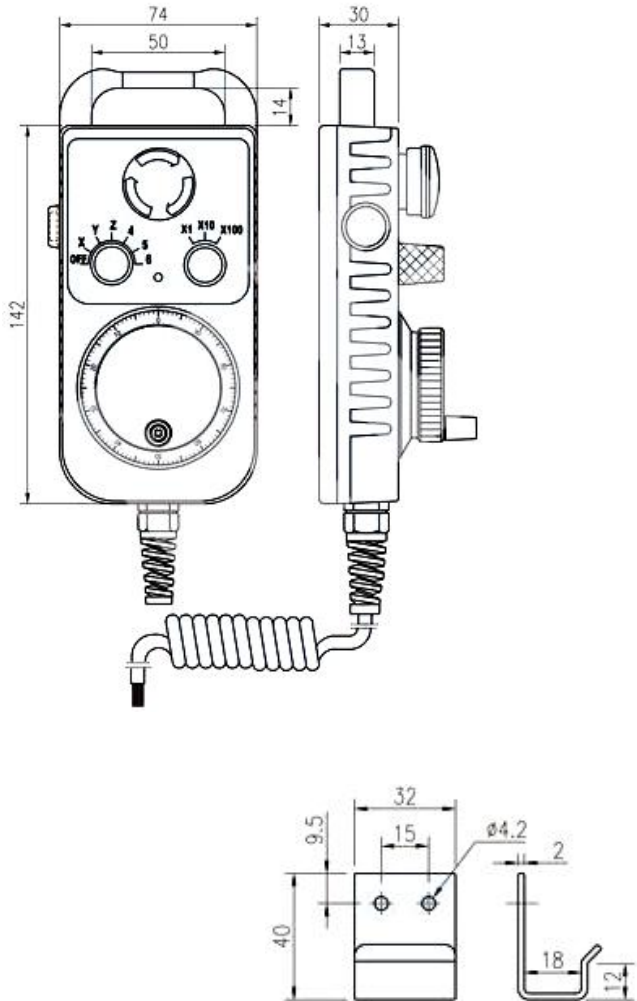


Features:



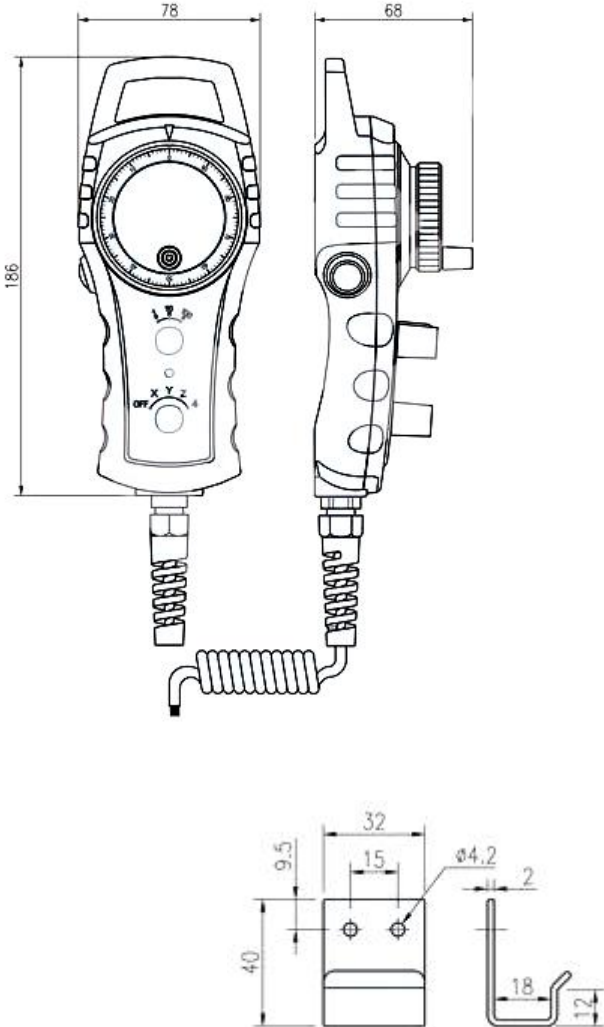
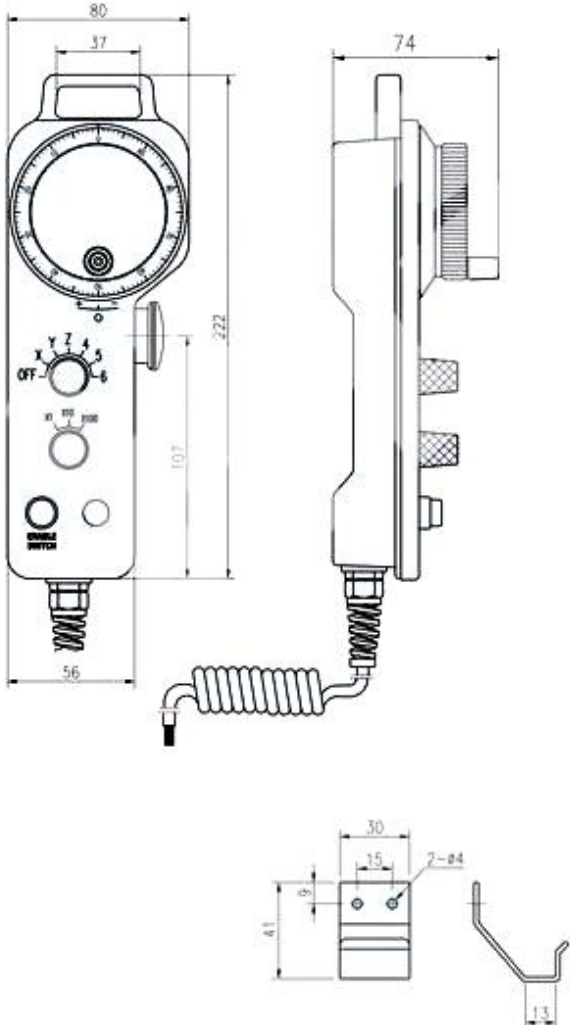
1. Gertech Manual Pulse Generator is widely applied in CNC Lathe and Printing Mechanism, to accomplish zero Collaboration or Signal Segmentation.
2. High reliability, long life and strong anti-interference ability, wide temperature range for operating.
3. Metal gear brings, reliable and clear feeling when rotating;
4. Plastic Cover, Oil-proof Seal Design;

Model: ADK1274		Model: ADK1468	
			
Size	122 x 74mm	Size	142 x 74mm
Resolution	100,25ppr	Resolution	100,25ppr
Supply Voltage	5v, 12v, 24v(+/-10%)	Supply Voltage	5v, 12v, 24v(+/-10%)
Output form	Line Driver, Voltage Output	Output form	Line Driver, Voltage Output
Max Current Consumption	80mA(Line) 120mA(V)	Max Current Consumption	80mA(Line) 120mA(V)
Max. Response Frequency	10khz	Max. Response Frequency	10khz
Rise/fall Time	200ns(Line Driver), 1μs(Voltage)	Rise/fall Time	200ns(Line
Net Weight	1100g	Net Weight	200g
Working Temp.	-20°C-85°C	Working Temp.	-20°C-85°C
Humidity	30~85%	Humidity	30~85%
Degree of Protection	IP50	Degree of Protection	IP50
Options of Axles	X,Y / X Y Z 4 5 6	Options of Axles	X,Y, Z,4
Magnification Levels	N/A, X1, X10, X100	Magnification Levels	X1, X10, X100
Dimension: 		Dimension: 	



Idencoder Manual Pulse Generator

Model: ADK1469		Model: ADK1474	
			
Size	134 x 69mm	Size	142 x 74mm
Resolution	100,25ppr	Resolution	100,25ppr
Supply Voltage	5v, 12v, 24v(+/-10%)	Supply Voltage	5v, 12v, 24v(+/-10%)
Output form	Line Driver, Voltage Output	Output form	Line Driver, Voltage Output
Max Current Consumption	80mA(Line) 120mA(V)	Max Current Consumption	80mA(Line) 120mA(V)
Max. Response Frequency	10khz	Max. Response Frequency	10khz
Rise/fall Time	200ns(Line Driver),1μs(Voltage)	Rise/fall Time	200ns(Line
Net Weight	1100g	Net Weight	1100g
Working Temp.	-20°C-85°C	Working Temp.	-20°C-85°C
Humidity	30~85%	Humidity	30~85%
Degree of Protection	IP50	Degree of Protection	IP50
Options of Axles	X,Y,Z,4 / X Y Z 4 5 6	Options of Axles	X,Y,Z,4 / X Y Z 4 5 6
Magnification Levels	X1,X10, X100	Magnification Levels	X1,X10,X100
Dimension:		Dimension:	
			

Idencoder Manual Pulse Generator

Model: ADK1680		Model: ADK2080	
			
Size	186 x 78mm	Size	142 x 74mm
Resolution	100,25ppr	Resolution	100,25ppr
Supply Voltage	5v, 12v, 24v(+/-10%)	Supply Voltage	5v, 12v, 24v(+/-10%)
Output form	Line Driver, Voltage Output	Output form	Line Driver, Voltage Output
Max Current Consumption	80mA(Line) 120mA(V)	Max Current Consumption	80mA(Line) 120mA(V)
Max. Response Frequency	10khz	Max. Response Frequency	10khz
Rise/fall Time	200ns(Line Driver),1μs(Voltage)	Rise/fall Time	200ns(Line Driver),1μs(Voltage)
Net Weight	1100g	Net Weight	1100g
Working Temp.	-20°C-85°C	Working Temp.	-20°C-85°C
Humidity	30~85%	Humidity	30~85%
Degree of Protection	IP50	Degree of Protection	IP50
Options of Axles	X,Y, Z 4/ X Y Z 4 5 6	Options of Axles	X,Y, Z 4/ X Y Z 4 5 6
Magnification Levels	X1, X10, X100	Magnification Levels	X1, X10, X100
			
Model: ADK2188		Model: ADK2189	

Idencoder Manual Pulse Generator

			
Size	210 x 88mm	Size	210 x 89mm
Resolution	100,25ppr	Resolution	100,25ppr
Supply Voltage	5v, 12v, 24v(+10%)	Supply Voltage	5v, 12v, 24v(+10%)
Output form	Line Driver, Voltage Output	Output form	Line Driver, Voltage Output
Max Current Consumption	80mA(Line) 120mA(V)	Max Current Consumption	80mA(Line) 120mA(V)
Max. Response Frequency	10khz	Max. Response Frequency	10khz
Rise/fall Time	200ns(Line Driver), 1μs(Voltage)	Rise/fall Time	200ns(Line)
Net Weight	1100g	Net Weight	200g
Working Temp.	-20°C-85°C	Working Temp.	-20°C-85°C
Humidity	30~85%	Humidity	30~85%
Degree of Protection	IP50	Degree of Protection	IP50
Options of Axles	X,Y,Z,4 / X Y Z 4 5 6	Options of Axles	X,Y,Z,4 / X Y Z 4 5 6
Magnification Levels	X1,X10, X100	Magnification Levels	X1,X10,X100
Dimension:		Dimension:	
