

Optical Encoder Kit

Mini Size
Housing Dia.:30mm;
Solid/hollow Shaft Dia.:3-10mm;

GI-OE Series



- ▶ Housing Diameter:30mm;
- ▶ Solid/hollow Shaft Diameter:3-10mm;
- ▶ Resolution: Max.1000ppr;
- ▶ Supply Voltage:5v,8-29v;
- ▶ Output Format: NPN/PNP open collector, Push pull, Line Driver;
- ▶ Output Signal: A B / A B Z;
- ▶ Widely used in various fields of automatic control and measurement system,such as machinery manufacturing, shipping, textile, printing, aviation, military industry Testing machine, elevator, etc.
- ▶ Vibration-resistant, corrosion-resistant, pollution-resistant;



Product characteristics

Housing Dia.:	30mm
Solid Shaft Dia.:	3-10mm

Electrical Data

Resolution:	1000PPR
Output Format:	Voltage Output, Differential Output
Output Signal:	A B;
Supply Voltage:	5V, 8-29V
Max. Frequency Response	300Khz

	Open Collector	Voltage Output	Line Driver	Push Pull
Consumption current	≤80mA;	≤80mA;	≤150mA;	≤80mA;
Load current	40mA;	40mA;	60mA;	40mA;
VOH	Min.Vcc x 70%;	Min.Vcc - 2.5v	Min.3.4v	Min.Vcc - 1.5v
VOL	Max.0.4v	Max.0.4v	Max.0.4v	Max.0.8v

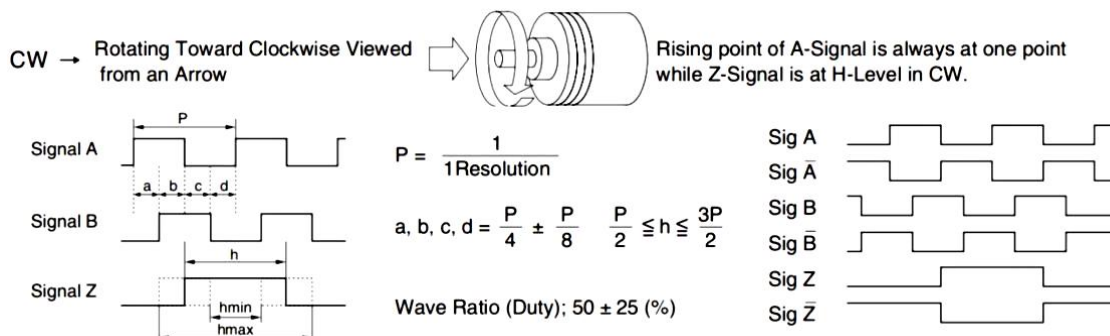
Mechanical Data

Start Torque	$4 \times 10^{-3} \text{ N}\cdot\text{M}$
Max. Shaft Loading	Axial: 20N, Radial:10N;
Max. Rotary Speed	5000rpm
Weight	160g

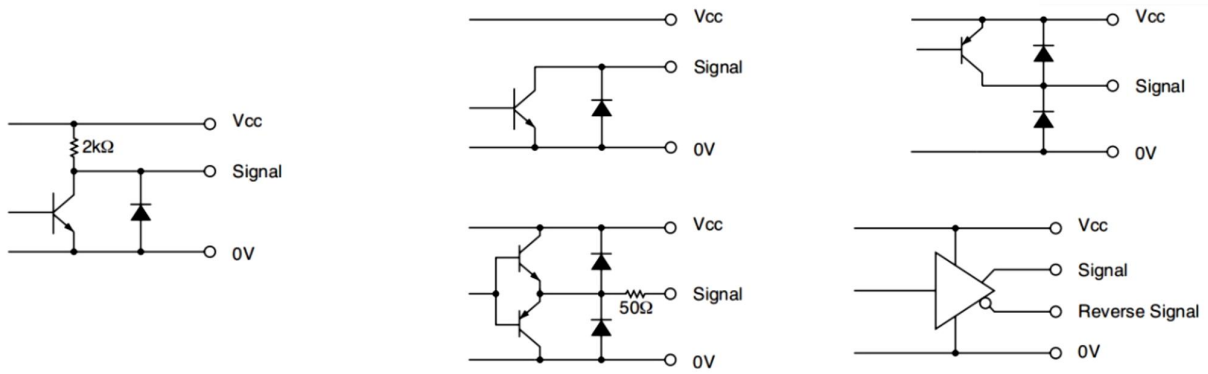
Environment Data

Working Temp.	-30~80℃
Storage Temp.	-40~80℃
Protection Grade	IP54

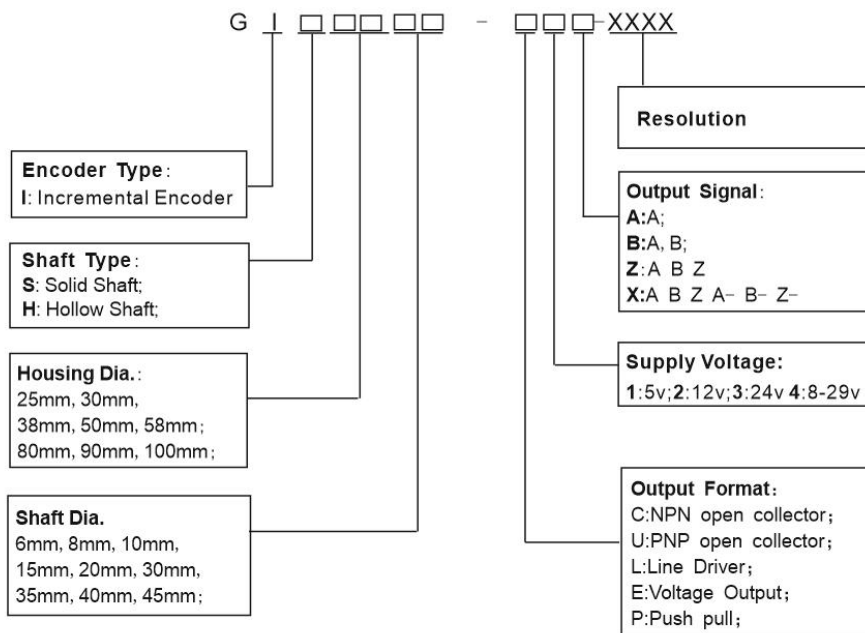
Wave Form



Circuit of Output Signal



Ordering Code



Dimensions

